



ANTRIEBSELEMENTE

Foundation blocks acc. to DIN 799



If performance is required

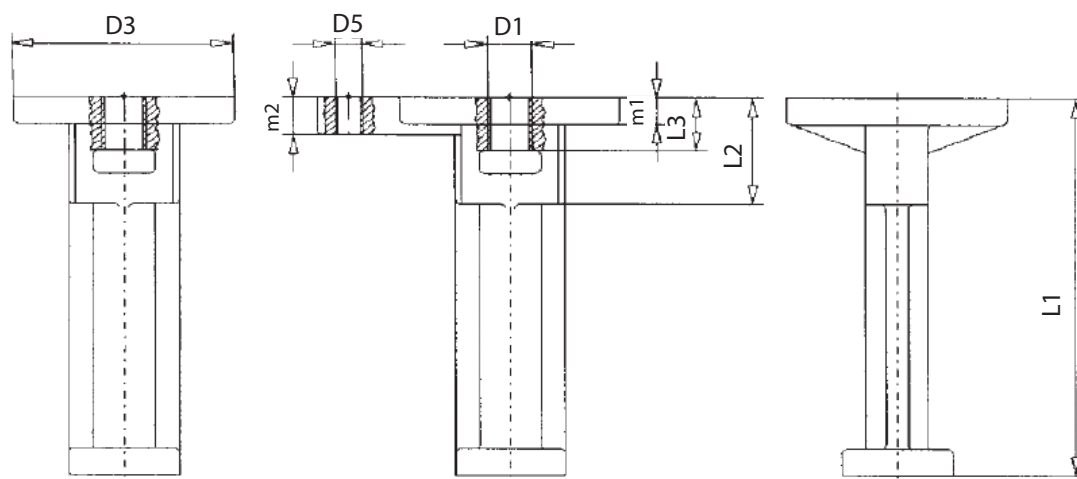
www.luetgert-antriebe.de

INSTRUCTION

FOUNDATION BLOCK INSTALLATION

Regarding their functional dimensions, the foundation blocks are conforming to DIN 799. They are manufactured of the material **EN-GJL 200** in accordance with DIN EN 1561.

For installation, use foundation blocks without any paint. Prepare openings in the provided cement floor in specified sizes referring to DIN 799 where the foundation blocks can be sealed. To prevent concrete or mortar from penetrating into the threads, seal them or fill them with grease. For pouring the openings, use concrete of the same solidity and granulation classes as for the surrounding concrete surfaces.

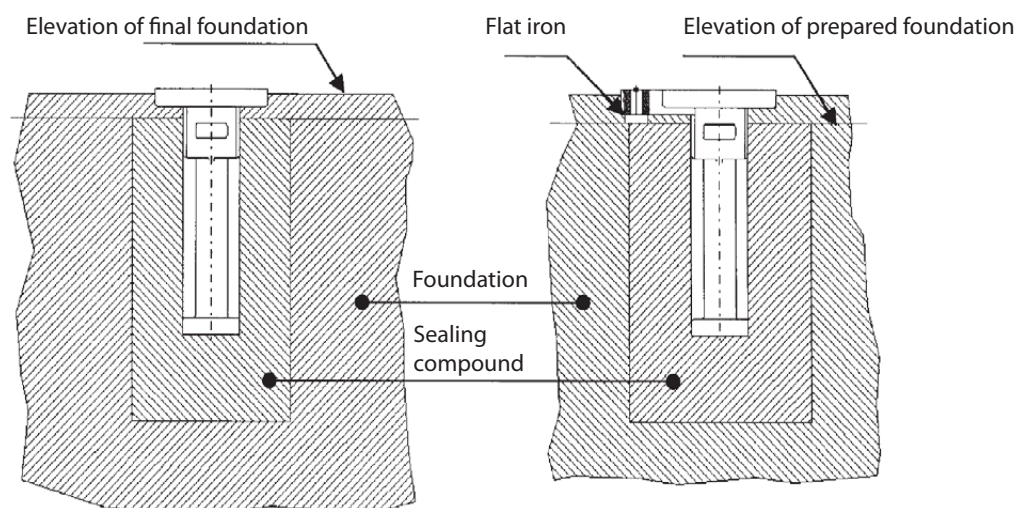


D1	L1	D3	D5	L2	L3	m1	m2
M 10	125	56	M 8	35	20	8	16
M 12	150	72	M 12	40	22	10	20
M 16	180	85	M 12	50	25	12	20
M 20	200	100	M 12	56	28	14	20
M 24	250	125	M 16	70	36	18	25
M 30	280	140	M 16	79	40	20	30
M 36	340	180	M 20	100	50	25	25
M 42	425	225	M 20	120	60	28	30
M 48	475	250	M 24	129	64	30	32

Fitting Example Foundation Block

Shape A without cams

Shape B with cams



PRODUCT OVERVIEW

EXCERPT

Drive pulleys

V-belt pulleys | V-belt pulleys | Flywheels | Grid pulleys | Timing belt pulleys | Rubberized Pulleys | Split pulleys | Aluminium pulleys



Supplies for drive belts

TaperLock clamping bushes | Motor mounting systems | V-belts / Drive belts | V-belt metrology | Rubber suspension units
Oscillating mountings | Tensioner devices | Foundation blocks | Shafts and rolls



More information desired?

www.luetgert-antriebe.de



Lütgert & Co. GmbH
Friedrichsdorfer Straße 48
33335 Gütersloh | Germany

phone : 05241 7407-0
vertrieb@luetgert-antriebe.de
www.luetgert-antriebe.de

